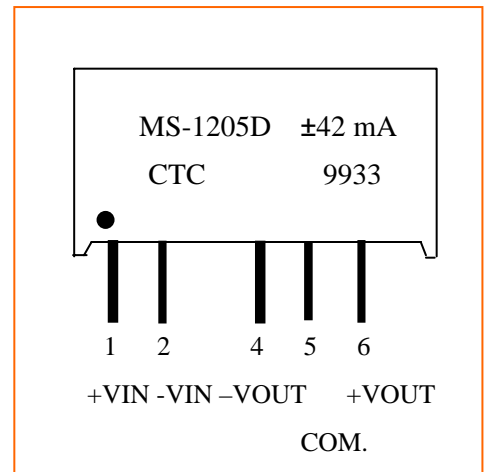


# CTC COIL TECHNOLOGY CORPORATION

## DC/DC CONVERTER MS-XXXXD SERIES 1W DUAL OUTPUT

### ELECTRICAL SPECIFICATIONS: UNREGULATED

- Input voltage range -----  $\pm 10\%$
- Input filter----- Capacitor.
- Output voltage accuracy -----  $\pm 5\%$
- Line voltage regulation ----- 1.2%Typ./1%Of Vin
- Load voltage regulation (10% ~ 100%)-  
5V Output Types----- 15% Max.  
9V,12V and 15V Output Types----- 10% Max.
- Ripple&noise/20MHZ BW -----  $\pm 75\text{mV P-P Max.}$
- Efficiency at full load----- 70% Min.
- Isolation voltage ----- 1000Vdc Min.
- Short circuit protection ----- 1.0 Second
- Operating temperature range -----  $-40^{\circ}\text{C to } 85^{\circ}\text{C}$
- Storage temperature range -----  $-55^{\circ}\text{C to } 125^{\circ}\text{C}$
- Isolation resistance ----- 10G  $\Omega$  Min.
- Isolation capacity ----- 75pF Typ.
- Package weight----- 2.2g

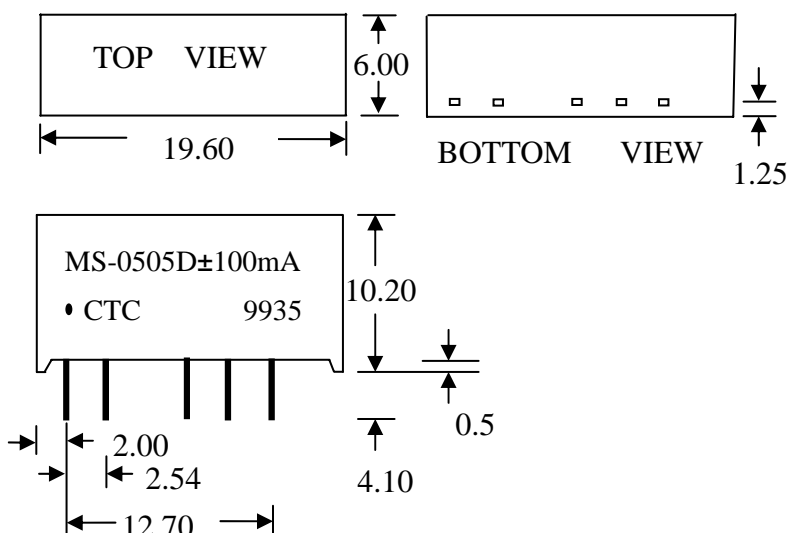


Note: Measured @ 25 With The Condition of Vin = Nominal And Full Load.

### Selection Guide

Model Number	Input Voltage (VDC)	Output Voltage (VDC)	Output Current (mA)	Efficiency (%)
MS-XX1.8D	1.8,3.3,5,9,12,15,24	$\pm 1.8$	$\pm 278$	70
MS-XX3.3D	1.8,3.3,5,9,12,15,24	$\pm 3.3$	$\pm 152$	70
MS-XX05D	1.8,3.3,5,9,12,15,24	$\pm 5$	$\pm 100$	70
MS-XX09D	1.8,3.3,5,9,12,15,24	$\pm 9$	$\pm 55$	75
MS-XX12D	1.8,3.3,5,9,12,15,24	$\pm 12$	$\pm 42$	78
MS-XX15D	1.8,3.3,5,9,12,15,24	$\pm 15$	$\pm 33$	80
MS-XX24D	1.8,3.3,5,9,12,15,24	$\pm 24$	$\pm 21$	80

### Package Style And Pinning (mm)



PIN	FUNCTION
1	+VIN
2	-VIN
4	-VOUT
5	COM.
6	+VOUT

Note : Terminal ----- 0.51 X 0.25 Flat Pin  
TOL. :  $\pm 0.25\text{mm}$   
UNIT : mm