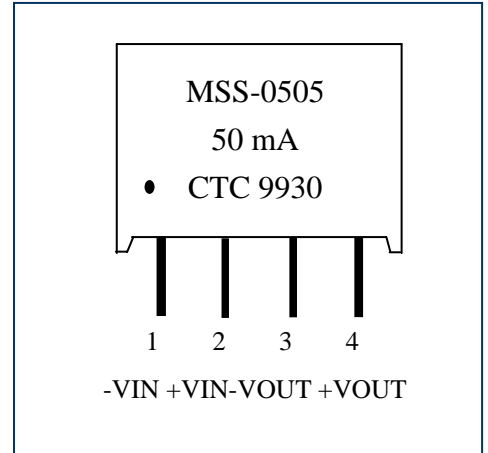


CTC COIL TECHNOLOGY CORPORATION

DC/DC CONVERTER MSS-SERIES SERIES 0.25W SINGLE OUTPUT

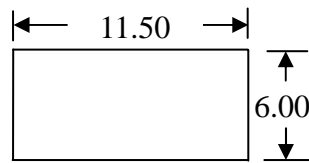
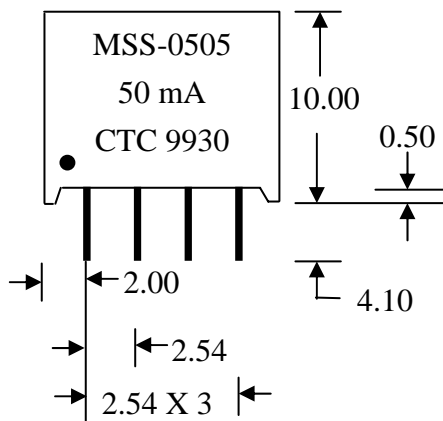
ELECTRICAL SPECIFICATIONS: UNREGULATED

- Input voltage range ----- $\pm 10\%$
- Input filter----- Capacitor.
- Output voltage accuracy ----- $\pm 5\%$
- Line regulation ----- 1.2% Typ./1% OF Vin
- Load regulation (10% ~ 100%) -----
 - 5V Output types ----- 15% Max.
 - 9V,12V,15V Output types ----- 10% Max.
- Ripple&noise/20MHZ BW ----- 50mV P-P Max.
- Efficiency ----- 65% Min.
- Isolation voltage ----- 1000Vdc/1sec.
- Short circuit protection ----- 1.0 Second
- Operating temperature range ----- -40°C to 85°C
- Storage temperature range ----- -55°C to 125°C
- Isolation resistance ----- 10G Ω Min.
- Isolation capacity ----- 80pF Typ.
- Package weight----- 1.4g

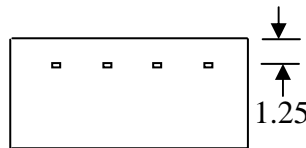


*Note: Measured @ 25 With The Condition of Vin = Nominal And Full Load.

Package Style And Pinning (mm)



TOP VIEW



BOTTOM VIEW

PIN	FUNCTION
1	-VIN
2	+VIN
3	-VOUT
4	+VOUT

*Note : Terminal ----- 0.51 X 0.24 Flat Pin

TOL. : $\pm 0.25\text{mm}$

UNIT : mm

Selection Guide

Model number	Input Voltage (VDC)	Output Voltage (VDC)	Output Current (mA)	Efficiency (%)
MSS-XX1.8	1.8,3.3,5,9,12,15,24	1.8	139	68
MSS-XX3.3	1.8,3.3,5,9,12,15,24	3.3	76	68
MSS-XX05	1.8,3.3,5,9,12,15,24	5	50	70
MSS-XX09	1.8,3.3,5,9,12,15,24	9	28	72
MSS-XX12	1.8,3.3,5,9,12,15,24	12	21	72
MSS-XX15	1.8,3.3,5,9,12,15,24	15	17	72
MSS-XX24	1.8,3.3,5,9,12,15,24	24	10.4	70