

CTC COIL TECHNOLOGY CORPORATION

DC/DC CONVERTER P5WR-xxxx / D Series , 5W REGULATION

Features:

- 5W DIP 24 Package.
- 2:1 Wide Input Range.
- Regulated output.
- Short circuit restart – Automatic.
- Short circuit protection – Continuous.



ELECTRICAL SPECIFICATIONS: REGULATED

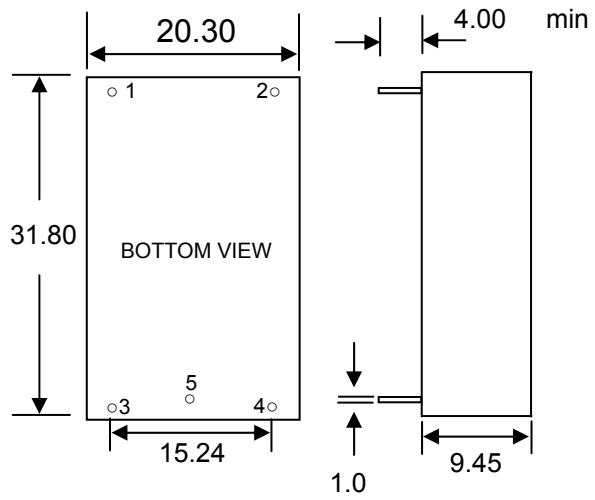
- Input voltage range ----- 2:1
- Output voltage accuracy ----- $\pm 2\%$ Typ
- Rated power ----- 5 Watts Max.
- Isolation voltage ----- 3000Vdc Min.
- Ripple&noise/20MHZ BW ----- 70mV P-P Max.
- Line regulation ----- $\pm 0.1\%$ Typ.
- Load regulation (10% ~ 100%) ----- $\pm 0.2\%$ Typ
- Operating frequency ----- 70KHz Typ.
- Short circuit protection ----- Continuous
- Short circuit restart ----- Automatic.
- Operating temperature range ----- -40°C to 75°C
- Storage temperature range ----- -50°C to 125°C
- Efficiency ----- 70% Min.
- Isolation resistance ----- 10G Min.
- Isolation capacitance ----- 30pF Typ



Selection Guide

Part Number	Input Voltage (VDC)	Output Voltage (VDC)	Output Current (mA)
P5WR-1203/D	9~18	3.3/±3.3	1200/±600
P5WR-1205/D	9~18	5/±5	1000/±500
P5WR-1209/D	9~18	9/±9	560/±280
P5WR-1212/D	9~18	12/±12	420/±210
P5WR-1215/D	9~18	15/±15	340/±170
P5WR-2403/D	18~36	3.3/±3.3	1200/±600
P5WR-2405/D	18~36	5/±5	1000/±500
P5WR-2409/D	18~36	9/±9	560/±280
P5WR-2412/D	18~36	12/±12	420/±210
P5WR-2415/D	18~36	15/±15	340/±170
P5WR-4803/D	36~72	3.3/±3.3	1200/±600
P5WR-4805/D	36~72	5/±5	1000/±500
P5WR-4809/D	36~72	9/±9	560/±280
P5WR-4812/D	36~72	12/±12	420/±210
P5WR-4815/D	36~72	15/±15	340/±170

Package Style And Pinning (mm)



PIN	Single P5WR-xxxx	DUAL B5WR-xxxxD
1	+VIN	+VIN
2	-VIN	-VIN
3	+VOUT	+VOUT
4	-VOUT	-VOUT
5	No PIN	COM

UNIT : mm TOL.: ± 0.25mm