

CTC COIL TECHNOLOGY CORPORATION

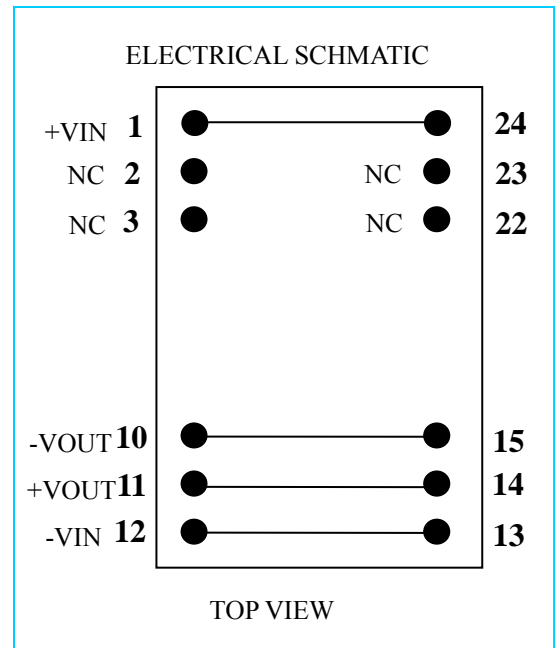
DC/DC CONVERTER B2.2R-XXXXS SERIES 2.2W SINGLE OUTPUT

Features:

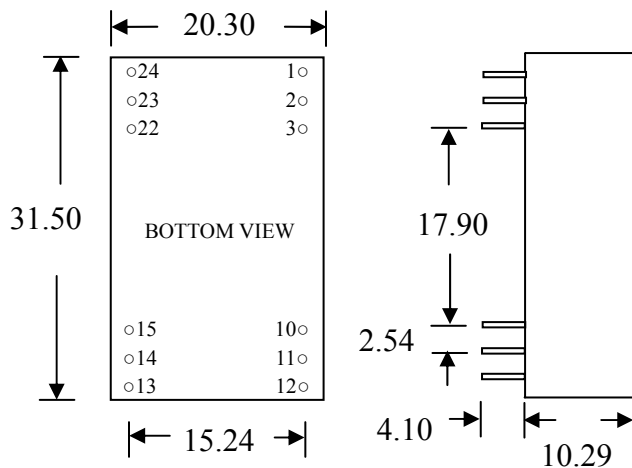
- 2.2 Watts DIP 24 package.
- Regulated output

ELECTRICAL SPECIFICATIONS: REGULATED

- Input voltage range ----- $\pm 10\%$
- Output voltage accuracy ----- $\pm 5\%$
- Rated power ----- 2.2 Watts Max.
- Isolation voltage ----- 500Vdc Min.
- Ripple&noise/20MHZ BW ----- 100mV P-P Max.
- Line regulation ----- $\pm 0.5\%$
- Load regulation ----- $\pm 0.5\%$
- Operating frequency ----- 20KHz Min.
- Short circuit protection ----- Short Term
- Operating temperature range ----- -40°C to 70°C
- Storage temperature range ----- -50°C to 125°C
- Efficiency ----- 50% Min.
- Isolation resistance ----- 10G Ω Min.
- Isolation capacity ----- 25pF Typ.



Package Style And Pinning (mm)



PIN	FUNCTION
1,24	+VIN
2,3,22,23	NC
10,15	-VOUT
11,14	+VOUT
12,13	-VIN

UNIT : mm
 XX.X \pm 0.5mm
 XX.XX \pm 0.25mm

Selection Guide

Part Number	Input Voltage (VDC)	Output Voltage (VDC)	Output Current (mA)
B2.2R-0505S	5	5	400
B2.2R-0509S	5	9	244
B2.2R-0512S	5	12	180
B2.2R-0515S	5	15	150
B2.2R-1205S	12	5	400
B2.2R-1209S	12	9	244
B2.2R-1212S	12	12	180
B2.2R-1215S	12	15	150
B2.2R-2405S	24	5	400
B2.2R-2409S	24	9	244
B2.2R-2412S	24	12	180
B2.2R-2415S	24	15	150