

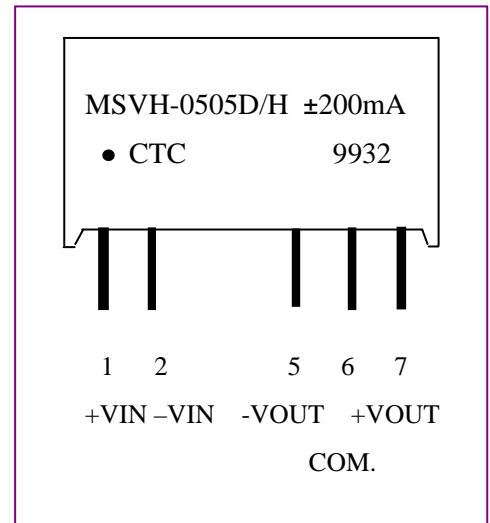
# CTC COIL TECHNOLOGY CORPORATION

## DC/DC CONVERTER MSVH-XXXXD/H SERIES 2W DUAL OUTPUT

### ELECTRICAL SPECIFICATIONS: UNREGULATED

- Input voltage range -----  $\pm 10\%$
- Input filter----- Capacitor.
- Output voltage accuracy -----  $\pm 5\%$
- Line voltage regulation ----- 1.2%Typ./1%Of Vin
- Load voltage regulation (10% ~ 100%)-  
5V Output Types----- 15% Max.  
9V,12V and 15V Output Types----- 10% Max.
- Ripple&noise/20MHZ BW -----  $\pm 150\text{mV P-P Max.}$
- Efficiency at full load----- 70% Min.
- Isolation voltage ----- 4000 Vdc Min.
- Short circuit protection ----- 1.0 Second
- Operating temperature range -----  $-40^{\circ}\text{C to }85^{\circ}\text{C}$
- Storage temperature range -----  $-55^{\circ}\text{C to }125^{\circ}\text{C}$
- Isolation resistance -----  $15\text{G } \Omega$
- Isolation capacity -----  $25\text{pF Typ.}$
- Package weight----- 2.5g
- Meet CE EN-60950-1 Certified、 CE  
EN-60601-1 Certified

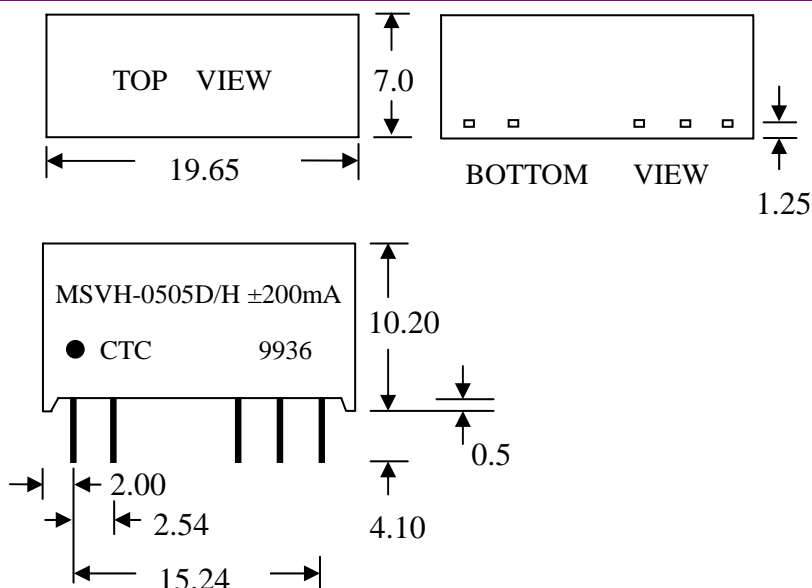
Note: Measured @ 25 With The Condition of  
Vin = Nominal And Full Load.



### Selection Guide

Model Number	Input Voltage (VDC)	Output Voltage (VDC)	Output Current (mA)	Efficiency (%)
MSVH-XX3.3D/H	5,9,12,15,24	$\pm 3.3$	$\pm 303$	70
MSVH-XX05D/H	5,9,12,15,24	$\pm 5$	$\pm 200$	70
MSVH-XX09D/H	5,9,12,15,24	$\pm 9$	$\pm 111$	72
MSVH-XX12D/H	5,9,12,15,24	$\pm 12$	$\pm 83$	72
MSVH-XX15D/H	5,9,12,15,24	$\pm 15$	$\pm 66$	72
MSVH-XX24D/H	5,9,12,15,24	$\pm 24$	$\pm 42$	74

### Package Style And Pinning (mm)



PIN	FUNCTION
1	+VIN
2	-VIN
5	-VOUT
6	COM.
7	+VOUT

\*Note : Terminal -----0.51X0.25 Flat Pin

TOL. :  $\pm 0.25\text{mm}$   
UNIT : mm