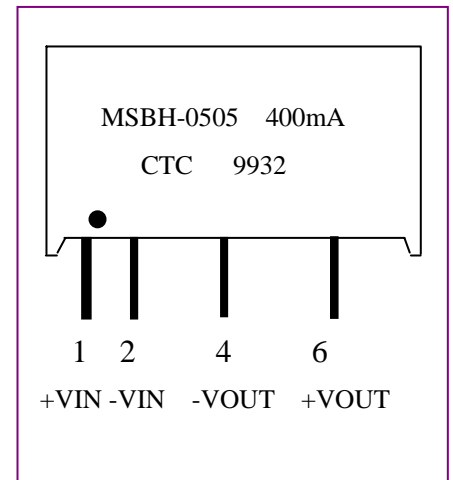


CTC COIL TECHNOLOGY CORPORATION

DC/DC CONVERTER MSBH-XXXX SERIES 2W SINGLE OUTPUT

ELECTRICAL SPECIFICATIONS: UNREGULATED

- Input voltage range ----- $\pm 10\%$
- Input filter----- Capacitor.
- Output voltage accuracy ----- $\pm 5\%$
- Line voltage regulation ----- 1.2% Typ./1% Of Vin
- Load voltage regulation (10% ~ 100%)-
5V Output Types----- 15% Max.
9V,12V and 15V Output Types----- 10% Max.
- Ripple&noise/20MHZ BW ----- 150mV P-P Max.
- Efficiency at full load----- 70% Min.
- Isolation voltage ----- 1000 Vdc Min.
- Short circuit protection ----- 1.0 Second
- Operating temperature range ----- -40°C to 85°C
- Storage temperature range ----- -55°C to 125°C
- Isolation resistance ----- 10G Ω
- Isolation capacity ----- 19pF Typ.
- Package weight----- 2.7g



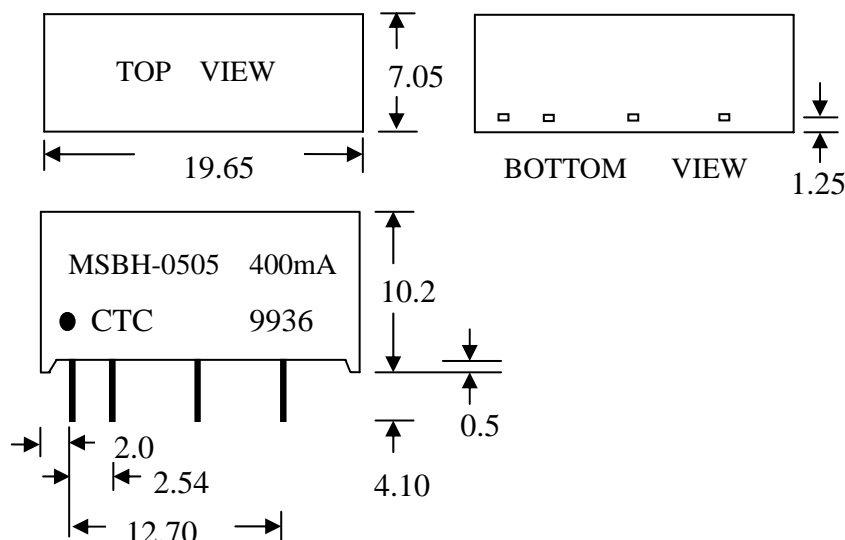
Note: Measured @ 25 With The Condition of Vin = Nominal And Full Load.

Note: 1.Add/H after P/N for isolation 2000Vdc

Selection Guide

Model Number	Input Voltage (VDC)	Output Voltage (VDC)	Output Current (mA)	Efficiency (%)
MSBH-XX3.3	5,9,12,15,24	3.3	606	68
MSBH-XX05	5,9,12,15,24	5	400	70
MSBH-XX09	5,9,12,15,24	9	222	72
MSBH-XX12	5,9,12,15,24	12	166	75
MSBH-XX15	5,9,12,15,24	15	133	78
MSBH-XX24	5,9,12,15,24	24	83	75

Package Style And Pinning (mm)



PIN	FUNCTION
1	+VIN
2	-VIN
4	-VOUT
6	+VOUT

*Note : Terminal----- 0.51 X 0.25 Flat Pin
TOL. : $\pm 0.25\text{mm}$
UNIT : mm