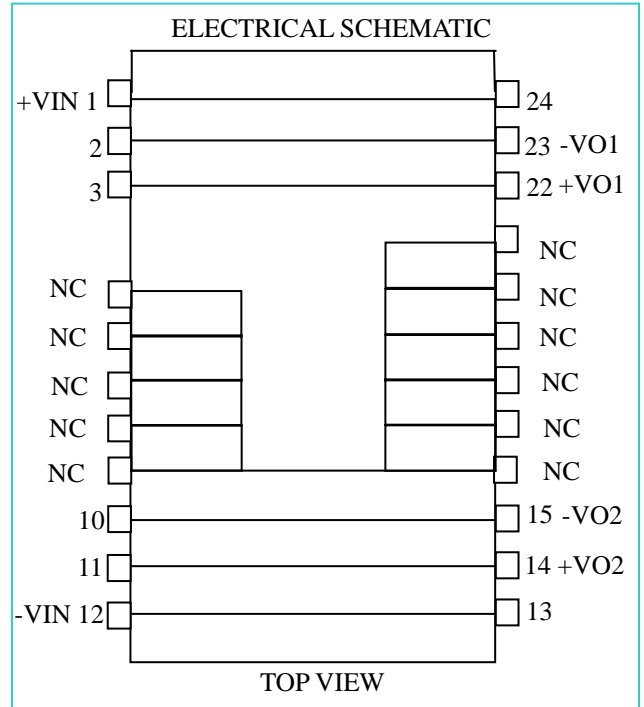


CTC COIL TECHNOLOGY CORPORATION

DC/DC CONVERTER A1.8UI-XXXX SERIES 1.8W DUAL OUTPUT

ELECTRICAL SPECIFICATIONS: UNREGULATED

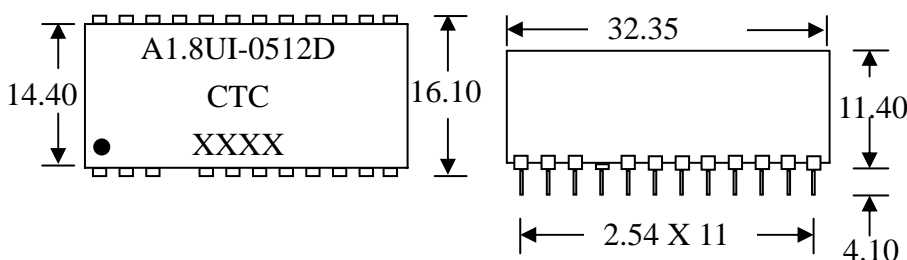
- Input voltage range ----- $\pm 10\%$
- Output voltage accuracy ----- $\pm 5\%$
- Output power----- 1.8W Max.
- Efficiency at full load----- 70% Min.
- Isolation voltage----- 500Vdc Min.
- Ripple&noise/20MHZ BW ----- 100mV P-P Max.
- Line regulation ----- 1.2% Typ../1% of Vin
- Load regulation (10% ~ 100%) $\pm 10\%$
- Operating frequency----- 20KHz Min.
- Short circuit protection----- Short Term
- Operating temperature range -- -25°C to 70°C
- Storage temperature range ---- -55°C to 125°C
- Isolation resistance ----- 10G Ω
- Isolation capacity----- 80pF Typ.
- Package weight----- 9.6g



Selection Guide

| Part Number | Input Voltage (VDC) | Output Voltage (VDC) | Output Current (mA) | Efficiency (%) |
|--------------|---------------------|----------------------|---------------------|----------------|
| A1.8UI-0505D | 5 | ± 5 | ± 180 | 75 |
| A1.8UI-0509D | 5 | ± 9 | ± 100 | 78 |
| A1.8UI-0512D | 5 | ± 12 | ± 75 | 80 |
| A1.8UI-0515D | 5 | ± 15 | ± 60 | 82 |
| A1.8UI-1205D | 12 | ± 5 | ± 180 | 75 |
| A1.8UI-1209D | 12 | ± 9 | ± 100 | 78 |
| A1.8UI-1212D | 12 | ± 12 | ± 75 | 80 |
| A1.8UI-1215D | 12 | ± 15 | ± 60 | 82 |
| A1.8UI-2405D | 24 | ± 5 | ± 180 | 75 |
| A1.8UI-2409D | 24 | ± 9 | ± 100 | 78 |
| A1.8UI-2412D | 24 | ± 12 | ± 75 | 80 |
| A1.8UI-2415D | 24 | ± 15 | ± 60 | 82 |

Package Style And Pinning (mm)



| PIN | FUNCTION |
|-------|----------|
| 1,24 | +VIN |
| 2,23 | -VO1 |
| 3,22 | +VO1 |
| 10,15 | -VO2 |
| 11,14 | +VO2 |
| 12,13 | -VIN |

TOL. : $\pm 0.25\text{mm}$

UNIT : mm