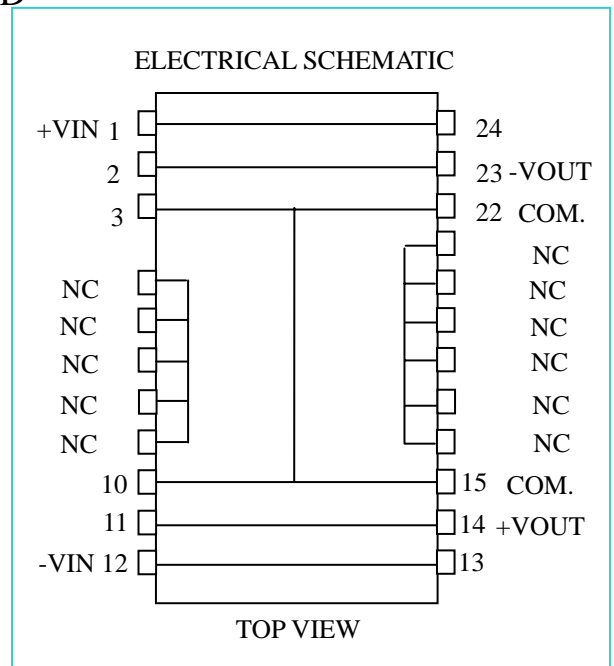


CTC COIL TECHNOLOGY CORPORATION

DC/DC CONVERTER A1.8U-XXXXD SERIES 1.8W DUAL OUTPUT

ELECTRICAL SPECIFICATIONS: UNREGULATED

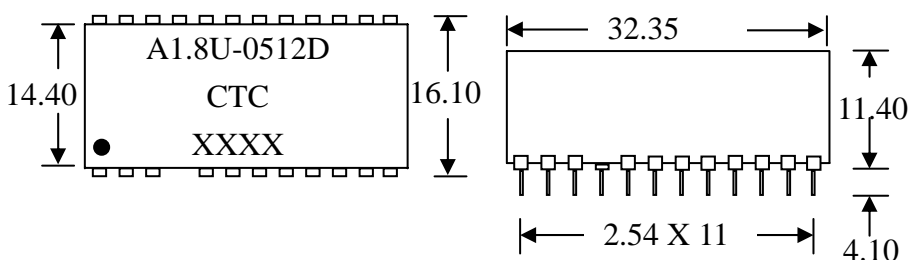
- Input voltage range ----- $\pm 10\%$
- Output voltage accuracy ----- $\pm 5\%$
- Output power----- 1.8W Max.
- Efficiency at full load----- 70% Min.
- Isolation voltage----- 500Vdc Min.
- Ripple&noise/20MHZ BW ----- 100mV P-P Max.
- Line regulation ----- 1.2% Typ./ 1% of Vin
- Load regulation (10% ~ 100%)----- $\pm 10\%$
- Operating frequency----- 20KHz Min.
- Short circuit protection----- Short Term
- Operating temperature range -- -25°C to 70°C
- Storage temperature range ---- -55°C to 125°C
- Isolation resistance ----- 10G Ω
- Package weight----- 9.6g



Selection Guide

Part Number	Input Voltage (VDC)	Output Voltage (VDC)	Output Current (mA)	Efficiency (%)
A1.8U-0505D	5	± 5	± 180	75
A1.8U-0509D	5	± 9	± 100	78
A1.8U-0512D	5	± 12	± 75	80
A1.8U-0515D	5	± 15	± 60	82
A1.8U-1205D	12	± 5	± 180	75
A1.8U-1209D	12	± 9	± 100	78
A1.8U-1212D	12	± 12	± 75	80
A1.8U-1215D	12	± 15	± 60	82
A1.8U-2405D	24	± 5	± 180	75
A1.8U-2409D	24	± 9	± 100	78
A1.8U-2412D	24	± 12	± 75	80
A1.8U-2415D	24	± 15	± 60	82

Package Style And Pinning (mm)



PIN	FUNCTION
1,24	+VIN
2,23	-VOUT
3,22	COM.
10,15	COM.
11,14	+VOUT
12,13	-VIN

TOL. : $\pm 0.25\text{mm}$

UNIT : mm