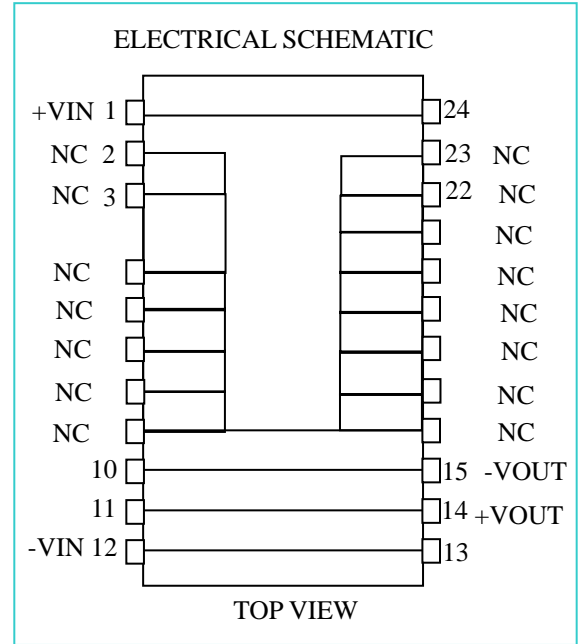


# CTC COIL TECHNOLOGY CORPORATION

## DC/DC CONVERTER A1.8U-XXXXS SERIES 1.8W SINGLE OUTPUT

### ELECTRICAL SPECIFICATIONS: UNREGULATED

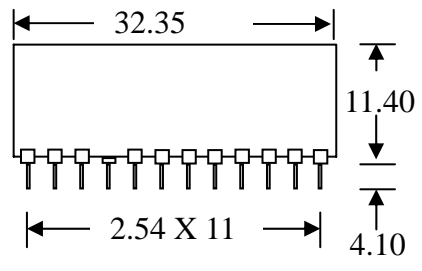
- Input voltage range -----  $\pm 10\%$
- Output voltage accuracy -----  $\pm 5\%$
- Output power----- 1.8W Max.
- Efficiency at full load----- 70% Min.
- Isolation voltage----- 500Vdc Min.
- Ripple&noise/20MHZ BW ----- 100mV P-P Max.
- Line regulation ----- 1.2% Typ./1% of Vin
- Load regulation (10% ~ 100%)---  $\pm 10\%$
- Operating frequency----- 20KHz Min.
- Short circuit protection----- Short Term
- Operating temperature range ---- -25°C to 70°C
- Storage temperature range ----- -55°C to 125°C
- Isolation resistance ----- 10GΩ
- Package weight----- 9.6g
- \*Internal fused protection----- See Note



### Selection Guide

Part Number	Input Voltage (VDC)	Output Voltage (VDC)	Output Current (mA)	Efficiency (%)
A1.8U-0505S	5	5	360	70
A1.8U-0509S	5	9	200	78
A1.8U-0512S	5	12	150	80
A1.8U-0515S	5	15	120	82
A1.8U-1205S	12	5	360	75
A1.8U-1209S	12	9	200	78
A1.8U-1212S	12	12	150	80
A1.8U-1215S	12	15	120	82
A1.8U-2405S	24	5	360	75
A1.8U-2409S	24	9	200	78
A1.8U-2412S	24	12	150	80
A1.8U-2415S	24	15	120	82

### Package Style And Pinning (mm)



PIN	FUNCTION
1,24	+VIN
2,23	NC
3,22	NC
10,15	-VOUT
11,14	+VOUT
12,13	-VIN

TOL. :  $\pm 0.25\text{mm}$   
 UNIT : mm