

CTC COIL TECHNOLOGY CORPORATION

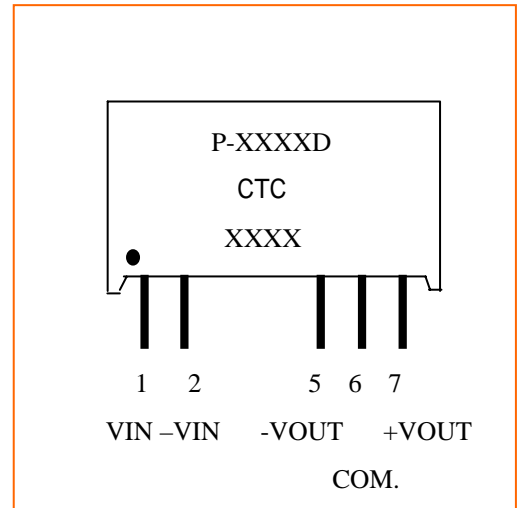
DC/DC CONVERTER P-XXXXD SERIES 1W DUAL OUTPUT

Features :

- Wide temperature Performance at full 1 watt load -40°C to 85°C
- 5.2KVdc Isolation
- Efficiency to 80%
- Internal SMD Construction
- UL 94V-0 Package Material
- Meet CE EN-60950-1 Certified

ELECTRICAL SPECIFICATIONS: UNREGULATED

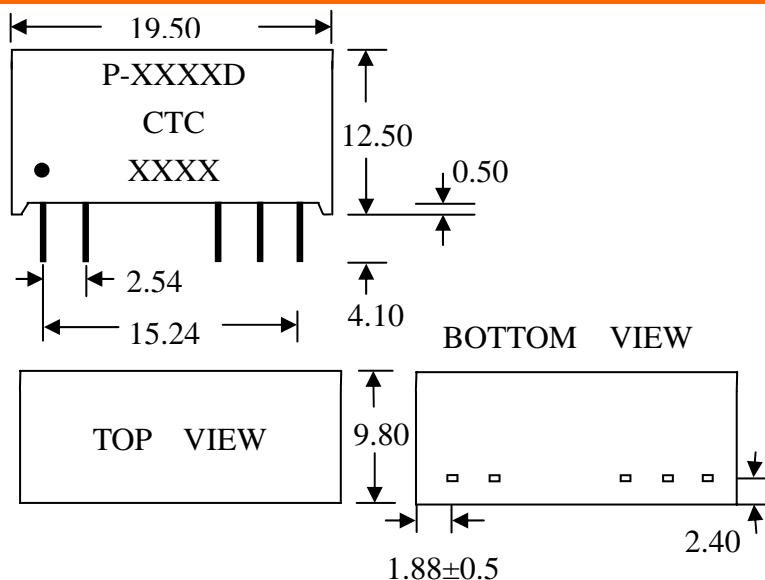
- Input voltage range ----- $\pm 10\%$
- Output voltage accuracy ----- $\pm 5\%$
- Line Voltage Regulation ----- 1.2%Typ./1%Of Vin
- Load Voltage Regulation (10% ~ 100%)
 3.3,5V Output Types----- 15% Max.
 9V,12V and 15V Output Types----- 10% Max.
- Ripple&noise/20MHZ BW ----- 200mV P-P Max.
- Efficiency at full load----- 65% Min.up to 80%
- Isolation Voltage----- 5.2K Vdc Min.
- Short circuit protection ----- 1.0 Second
- Operating temperature range ----- -40°C to 85°C
- Storage temperature range ----- -50°C to 125°C
- Isolation resistance----- 560G
- Isolation capacity----- 1.5pF



Selection Guide

Part Number	Input Voltage (VDC)	Output Voltage (VDC)	Output Current (mA)
P-XX3.3D	5,9,12,15,24	± 3.3	± 150
P-XX05D	5,9,12,15,24	± 5	± 100
P-XX09D	5,9,12,15,24	± 9	± 56
P-XX12D	5,9,12,15,24	± 12	± 42
P-XX15D	5,9,12,15,24	± 15	± 33

Package Style And Pinning (mm)



PIN	FUNCTION
1	VIN
2	-VIN
5	-VOUT
6	COM.
7	+VOUT

TOL. : $\pm 0.25\text{mm}$
 UNIT : mm