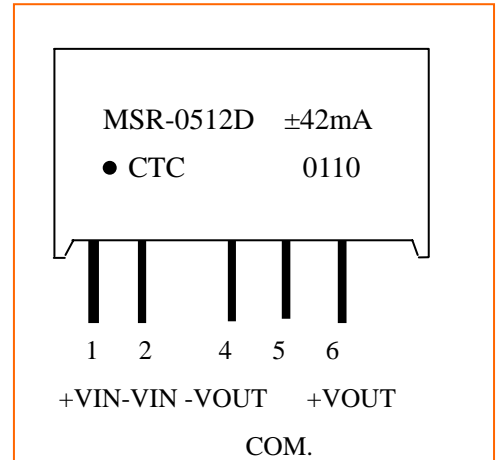


# CTC COIL TECHNOLOGY CORPORATION

## DC/DC CONVERTER MSR-XXXXD SERIES 1W DUAL OUTPUT

### ELECTRICAL SPECIFICATIONS: REGULATED

- Input voltage range -----  $\pm 5\%$
- Input voltage range (option)-----  $(\pm 10\%)$
- Output voltage accuracy -----  $\pm 5\%$
- Line voltage regulation -----  $V_o \pm 1.0\%$
- Load voltage regulation -----  $V_o \pm 1.0\%$
- Ripple&noise/20MHZ BW -----  $\pm 100\text{mV P-P Max.}$
- Efficiency at full load-----  $50\% \text{ Min.}$
- Isolation voltage-----  $1000 \text{ Vdc Min.}$
- Short circuit protection -----  $1.0 \text{ Second}$
- Operating temperature range -----  $-40^\circ\text{C to } 71^\circ\text{C}$
- Storage temperature range -----  $-55^\circ\text{C to } 125^\circ\text{C}$

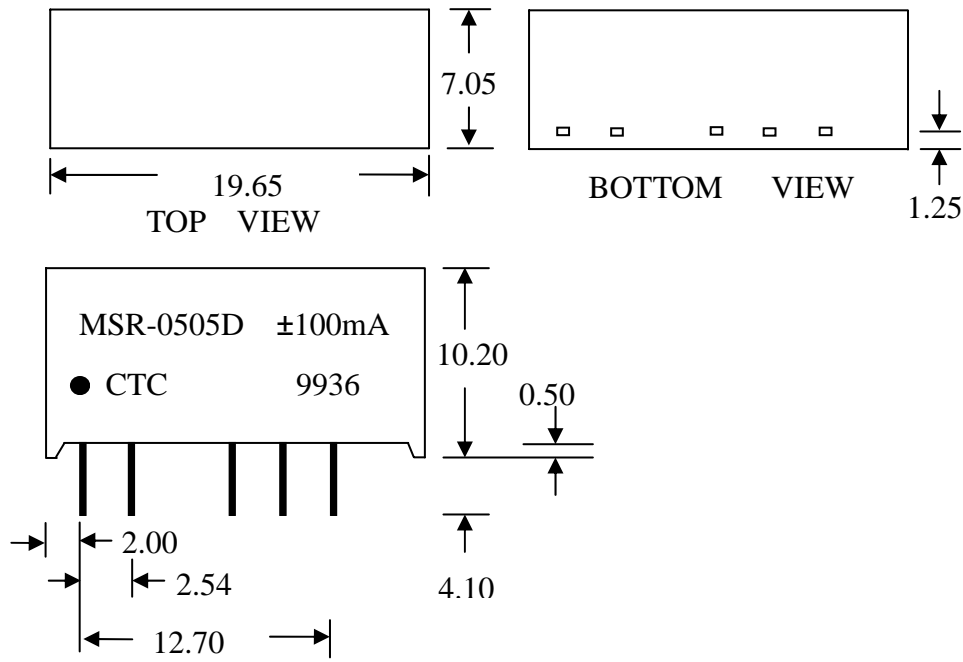


**Note: 1. Add/H after P/N for isolation 3000Vdc**  
**2. Add/T after P/N for input voltage----- $\pm 10\%$**

### Selection Guide

Part Number	Input Range (VDC)	Output Voltage (VDC)	Output Current (mA)
MSR-0505D	5	$\pm 5$	$\pm 100$
MSR-0509D	5	$\pm 9$	$\pm 55$
MSR-0512D	5	$\pm 12$	$\pm 42$
MSR-0515D	5	$\pm 15$	$\pm 33$
MSR-1205D	12	$\pm 5$	$\pm 100$
MSR-1209D	12	$\pm 9$	$\pm 55$
MSR-1212D	12	$\pm 12$	$\pm 42$
MSR-1215D	12	$\pm 15$	$\pm 33$
MSR-1505D	15	$\pm 5$	$\pm 100$
MSR-1509D	15	$\pm 9$	$\pm 55$
MSR-1512D	15	$\pm 12$	$\pm 42$
MSR-1515D	15	$\pm 15$	$\pm 33$
MSR-2405D	24	$\pm 5$	$\pm 100$
MSR-2409D	24	$\pm 9$	$\pm 55$
MSR-2412D	24	$\pm 12$	$\pm 42$
MSR-2415D	24	$\pm 15$	$\pm 33$

# Package Style And Pinning (mm)



PIN	FUNCTION
1	+VIN
2	-VIN
4	-VOUT
5	COM.
6	+VOUT

TOL. : ±0.25mm

UNIT : mm