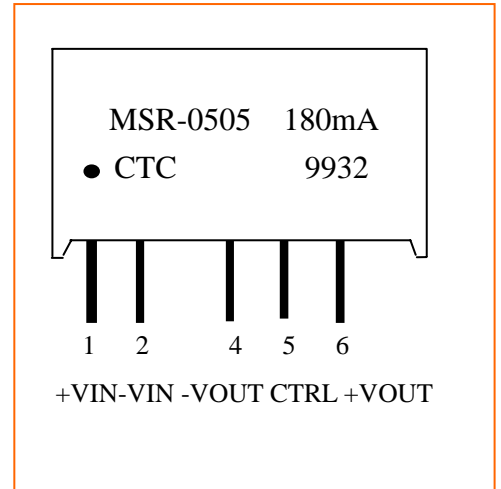


CTC COIL TECHNOLOGY CORPORATION

DC/DC CONVERTER MSR-XXXX SERIES 1W SINGLE OUTPUT

ELECTRICAL SPECIFICATIONS: REGULATED

- Input voltage range ----- $\pm 5\%$
- Input voltage range (option)----- Capacitor
- Output voltage accuracy ----- $\pm 5\%$
- Line voltage regulation ----- 1.0%
- Load voltage regulation ----- 1.0%
- Ripple&noise/20MHZ BW ----- 100mV P-P Max.
- Efficiency at full load----- 50% Min.
- Isolation voltage----- 1000 Vdc Min.
- Short circuit protection ----- 1.0 Second
- Operating temperature range ----- -40°C to 71°C
- Storage temperature range ----- -55°C to 125°C
- Isolation resistance ----- 10G Ω Min.
- Isolation capacity ----- 70pF Typ.
- Package weight----- 2.8g

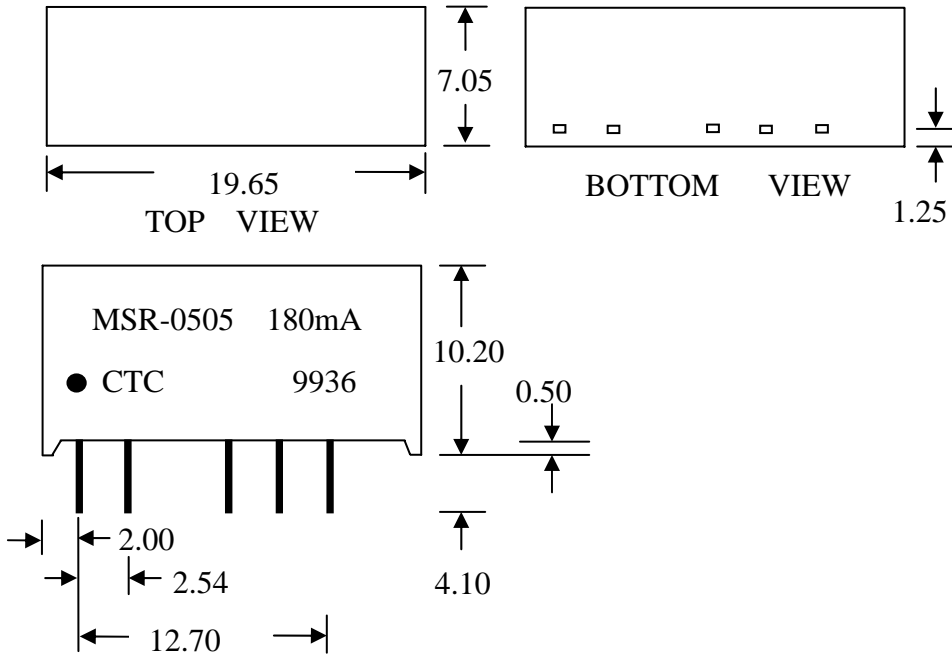


- Note:**
1. Add/H after P/N for isolation 2000Vdc
 2. Add/T after P/N for input voltage----- $\pm 10\%$
 3. Output voltage = rated at "CTRL = HIGH"
Output voltage = rated at "CTRL = NC"
Output voltage = 1.25V at "CTRL = LOW"

Selection Guide

Part Number	Input Voltage (VDC)	Output Voltage (VDC)	Output Current (mA)	Efficiency (%)
MSR-0505/1	5	5	100	50
MSR-0505	5	5	200	52
MSR-0509	5	9	111	56
MSR-0512	5	12	84	60
MSR-0515	5	15	66	62
MSR-1205	12	5	180	52
MSR-1209	12	9	111	56
MSR-1212	12	12	84	60
MSR-1215	12	15	66	62
MSR-1505	15	5	180	52
MSR-1509	15	9	111	56
MSR-1512	15	12	84	60
MSR-1515	15	15	66	62
MSR-2405	24	5	180	52
MSR-2409	24	9	111	56
MSR-2412	24	12	84	60
MSR-2415	24	15	66	62

Package Style And Pinning (mm)



PIN	FUNCTION
1	+VIN
2	-VIN
4	-VOUT
5	CTRL
6	+VOUT

*Note : Terminal ----- 0.51 X 0.25 Flat
 TOL. : ±0.25mm
 UNIT : mm