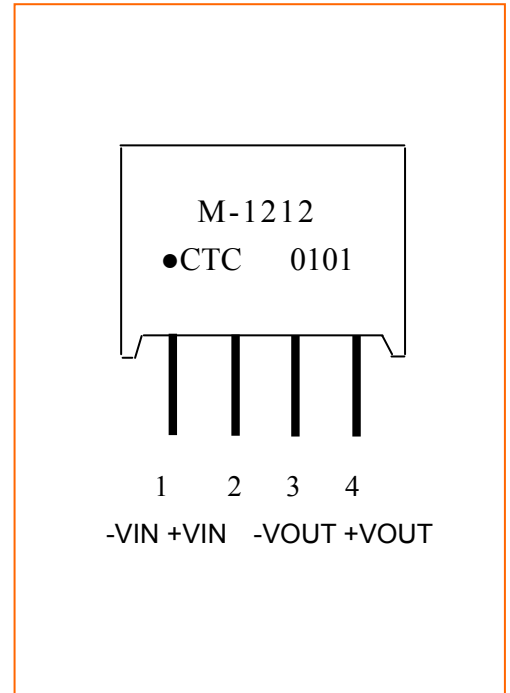


CTC COIL TECHNOLOGY CORPORATION

DC/DC CONVERTER M-XXXX SERIES 1W SINGLE OUTPUT

ELECTRICAL SPECIFICATIONS: UNREGULATED

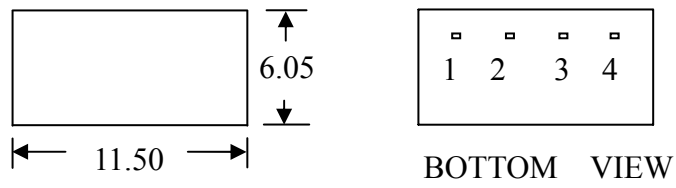
- Input voltage range ----- $\pm 10\%$
- Output voltage accuracy ----- $\pm 5\%$
- Rate power----- 1W
- Isolation voltage----- 3KVdc
- Ripple&noise/20MHZ BW ----- 100mV Max.
- Line voltage regulation ----- 1.2%Typ./1%Of Vin
- Load voltage regulation (10% ~ 100%)-
 5V Output Types----- 15% Max.
 9V,12V and 15V Output Types----- 10% Max.
- Ripple&noise/20MHZ BW ----- 100mV P-P Max.
- Efficiency at full load----- 70% Min.
- Switching Frequency----- 50KHz Min.
- Short circuit protection ----- 1.0 Second
- Operating temperature range ----- -40°C to 85°C
- Storage temperature range ----- -55°C to 125°C
- Efficiency----- up to 80%
- Isolation resistance ----- 15G Ω Min.
- Isolation capacity ----- 70pF Typ.
- Package weight----- 1.0g
- Meet CE EN-60950-1 Certified



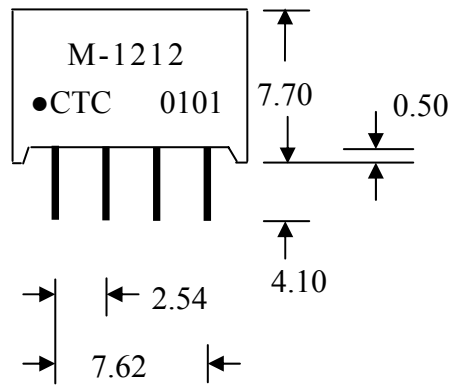
Selection Guide

Part Number	Input Voltage (VDC)	Output Voltage (VDC)	Output Current (mA)	Efficiency (%)
M-0505	5	5	200	69
M-0509	5	9	111	72
M-0512	5	12	83	74
M-0515	5	15	66	78
M-1205	12	5	200	69
M-1209	12	9	111	74
M-1212	12	12	83	76
M-1215	12	15	66	78
M-1505	15	5	200	70
M-1509	15	9	111	74
M-1512	15	12	83	76
M-1515	15	15	66	78

Package Style And Pinning (mm)



PIN	FUNCTION
1	-VIN
2	+VIN
3	-VOUT
4	+VOUT



TOL. : ± 0.25 mm

UNIT : mm