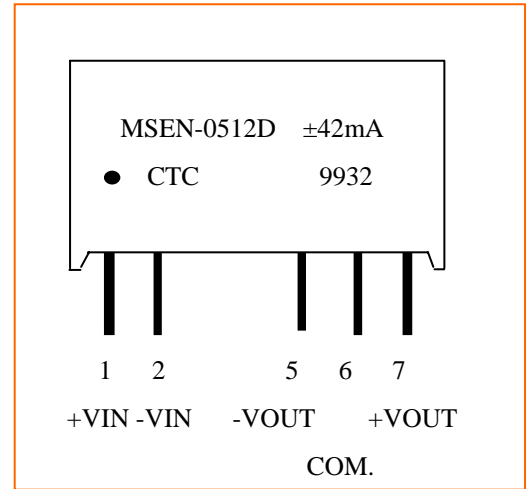


# CTC COIL TECHNOLOGY CORPORATION

## DC/DC CONVERTER MSEN-XXXXD SERIES 1W DUAL OUTPUT

### ELECTRICAL SPECIFICATIONS: UNREGULATED

- Input voltage range -----  $\pm 10\%$
- Input filter----- Capacitor.
- Output voltage accuracy -----  $\pm 5\%$
- Line voltage regulation -----  $1.2\% \text{Typ.}/1\% \text{Of Vin}$
- Load voltage regulation (10% ~ 100%)-  
5V Output Types----- 15% Max.  
9V,12V and 15V Output Types----- 10% Max.
- Ripple&noise/20MHZ BW -----  $\pm 100\text{mV P-P Max.}$
- Efficiency at full load----- 70% Min.
- Isolation voltage ----- 5200 Vdc Min.
- Short circuit protection ----- 1.0 Second
- Operating temperature range -----  $-40^{\circ}\text{C to }85^{\circ}\text{C}$
- Storage temperature range -----  $-55^{\circ}\text{C to }125^{\circ}\text{C}$
- Isolation resistance -----  $20\text{G } \Omega \text{ Min.}$
- Isolation capacity -----  $10\text{pF Typ.}$
- Package weight----- 2.4g
- Meet CE EN-60950-1 Certified

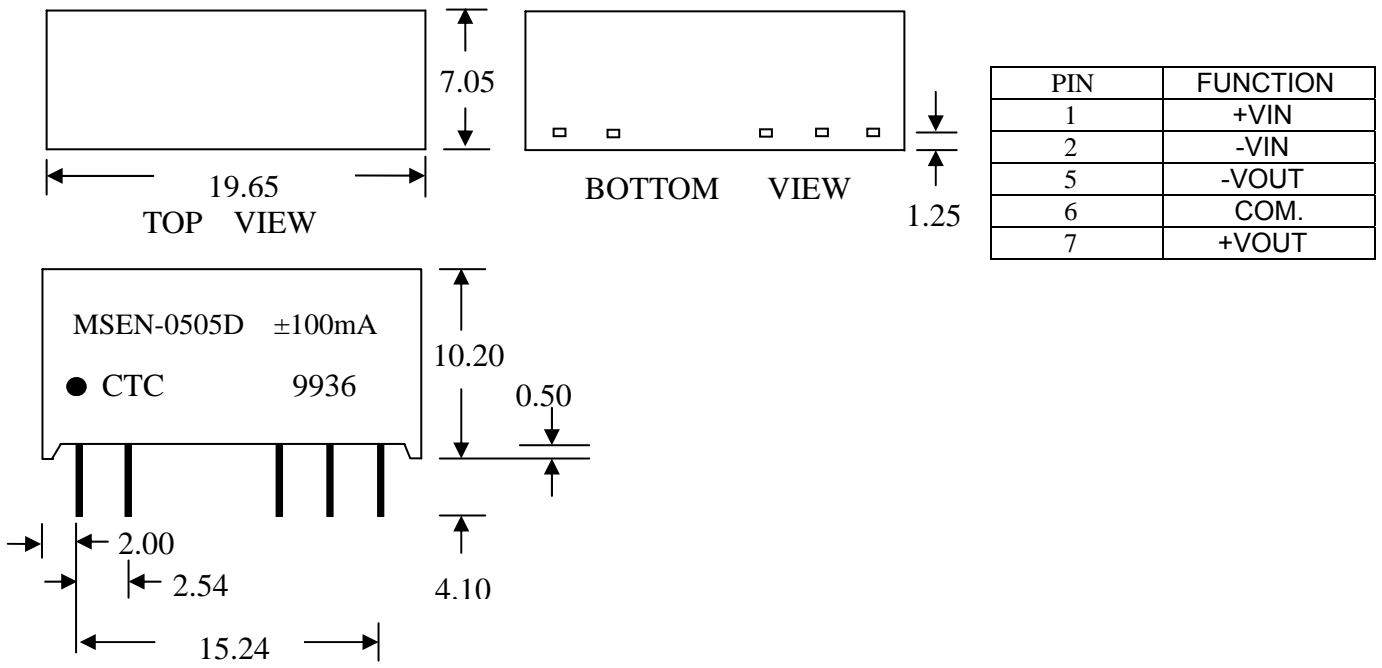


\*Note: Measured @ 25 With The Condition of Vin = Nominal And Full Load.

### Selection Guide

Part Number	Input Voltage (VDC)	Output Voltage (VDC)	Output Current (mA)	Efficiency (%)
MSEN-0505D	5	$\pm 5$	$\pm 100$	70
MSEN-0509D	5	$\pm 9$	$\pm 56$	75
MSEN-0512D	5	$\pm 12$	$\pm 42$	78
MSEN-0515D	5	$\pm 15$	$\pm 33$	80
MSEN-1205D	12	$\pm 5$	$\pm 100$	70
MSEN-1209D	12	$\pm 9$	$\pm 56$	75
MSEN-1212D	12	$\pm 12$	$\pm 42$	78
MSEN-1215D	12	$\pm 15$	$\pm 33$	80
MSEN-1505D	15	$\pm 5$	$\pm 100$	70
MSEN-1509D	15	$\pm 9$	$\pm 56$	75
MSEN-1512D	15	$\pm 12$	$\pm 42$	78
MSEN-1515D	15	$\pm 15$	$\pm 33$	80
MSEN-2405D	24	$\pm 5$	$\pm 100$	70
MSEN-2409D	24	$\pm 9$	$\pm 56$	75
MSEN-2412D	24	$\pm 12$	$\pm 42$	78
MSEN-2415D	24	$\pm 15$	$\pm 33$	80

# Package Style And Pinning (mm)



\*Note : Terminal ----- 0.51 X 0.25 Flat Pin  
 TOL. : ±0.25mm  
 UNIT : mm