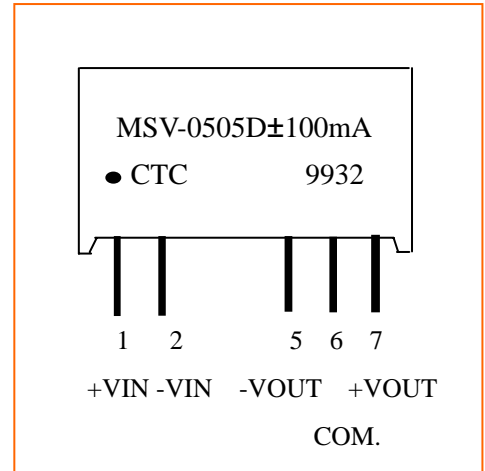


CTC COIL TECHNOLOGY CORPORATION

DC/DC CONVERTER MSV-XXXXD SERIES 1W DUAL OUTPUT

ELECTRICAL SPECIFICATIONS: UNREGULATED

- Input voltage range ----- $\pm 10\%$
- Input filter----- Capacitor.
- Output voltage accuracy ----- $\pm 5\%$
- Line voltage regulation ----- 1.2%Typ./1%Of Vin
- Load voltage regulation (10% ~ 100%)-
5V Output Types----- 15% Max.
9V,12V and 15V Output Types----- 10% Max.
- Ripple&noise/20MHZ BW ----- $\pm 100\text{mV P-P Max.}$
- Efficiency at full load----- 70% Min.
- Isolation voltage ----- 1000 Vdc Min.
- Short circuit protection ----- 1.0 Second
- Operating temperature range ----- $-40^{\circ}\text{C to } 85^{\circ}\text{C}$
- Storage temperature range ----- $-55^{\circ}\text{C to } 125^{\circ}\text{C}$
- Isolation resistance ----- 15G Ω Min.
- Isolation capacity ----- 60pF Typ.
- Package weight----- 2.1g
- Meet CE EN-60950-1 Certified、 CE
EN-60601-1 Certified

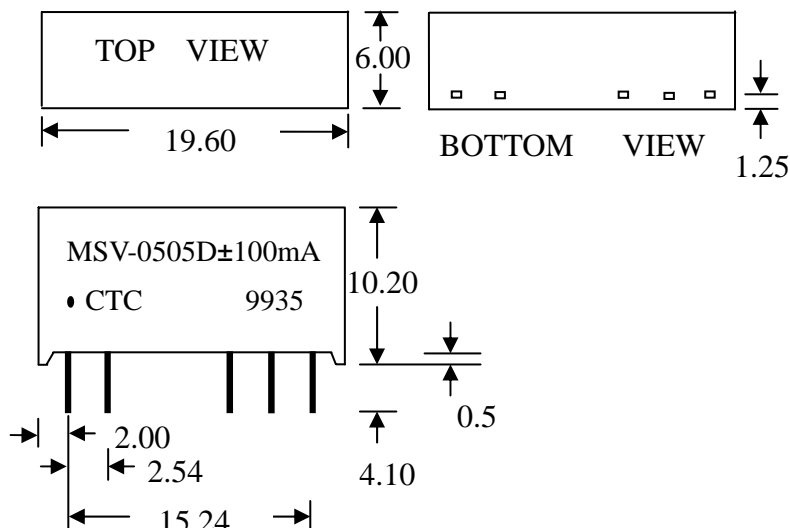


*Note: Measured @ 25 With The Condition of
Vin = Nominal And Full Load.

Selection Guide

Model Number	Input Voltage (VDC)	Output Voltage (VDC)	Output Current (mA)	Efficiency (%)
MSV-XX1.8D	1.8,3.3,5,9,12,15,24	± 1.8	± 278	70
MSV-XX3.3D	1.8,3.3,5,9,12,15,24	± 3.3	± 152	70
MSV-XX05D	1.8,3.3,5,9,12,15,24	± 5	± 100	70
MSV-XX09D	1.8,3.3,5,9,12,15,24	± 9	± 55	75
MSV-XX12D	1.8,3.3,5,9,12,15,24	± 12	± 42	78
MSV-XX15D	1.8,3.3,5,9,12,15,24	± 15	± 33	80
MSV-XX24D	1.8,3.3,5,9,12,15,24	± 24	± 21	80

Package Style And Pinning (mm)



PIN	FUNCTION
1	+VIN
2	-VIN
5	-VOUT
7	+VOUT

*Note : Terminal -----0.51x 0.25 Flat Pin
TOL. : $\pm 0.25\text{mm}$
UNIT : mm