

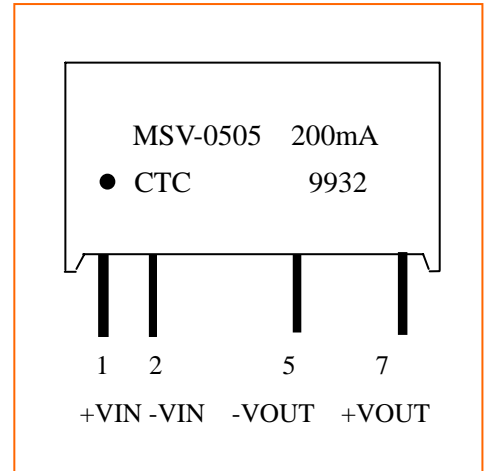
CTC COIL TECHNOLOGY CORPORATION

DC/DC CONVERTER MSV-XXXX SERIES 1W SINGLE OUTPUT

ELECTRICAL SPECIFICATIONS: UNREGULATED

- Input voltage range ----- $\pm 10\%$
- Input filter----- Capacitor.
- Output voltage accuracy ----- $\pm 5\%$
- Line voltage regulation ----- 1.2%Typ./1%Of Vin
- Load voltage regulation (10% ~ 100%)-
5V Output Types----- 15% Max.
9V,12V and 15V Output Types----- 10% Max.
- Ripple&noise/20MHZ BW ----- 100mV P-P Max.
- Efficiency at full load----- 70% Min.
- Isolation voltage ----- 3000 Vdc Min.
- Short circuit protection ----- 1.0 Second
- Operating temperature range ----- -40°C to 85°C
- Storage temperature range ----- -55°C to 125°C
- Isolation resistance ----- 15G Ω Min.
- Isolation capacity ----- 60pF Typ.
- Package weight----- 2.1g
- Meet CE EN-60950-1 Certified, CE
EN-60601-1 Certified

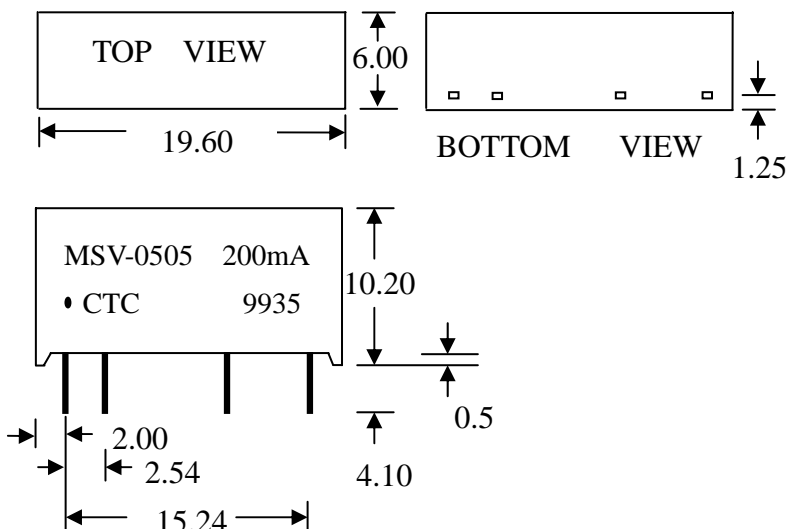
*Note: Measured @ 25 With The Condition of
Vin = Nominal And Full Load.



Selection Guide

Model Number	Input Voltage (VDC)	Output Voltage (VDC)	Output Current (mA)	Efficiency (%)
MSV-XX1.8	1.8,3.3,5,9,12,15,24	1.8	555	70
MSV-XX3.3	1.8,3.3,5,9,12,15,24	3.3	300	70
MSV-XX05	1.8,3.3,5,9,12,15,24	5	200	70
MSV-XX09	1.8,3.3,5,9,12,15,24	9	111	75
MSV-XX12	1.8,3.3,5,9,12,15,24	12	84	78
MSV-XX15	1.8,3.3,5,9,12,15,24	15	66	80
MSV-XX24	1.8,3.3,5,9,12,15,24	24	42	80

Package Style And Pinning (mm)



PIN	FUNCTION
1	+VIN
2	-VIN
5	-VOUT
7	+VOUT

*Note : Terminal -----0.51x 0.25 Flat Pin
TOL. : $\pm 0.25\text{mm}$
UNIT : mm