

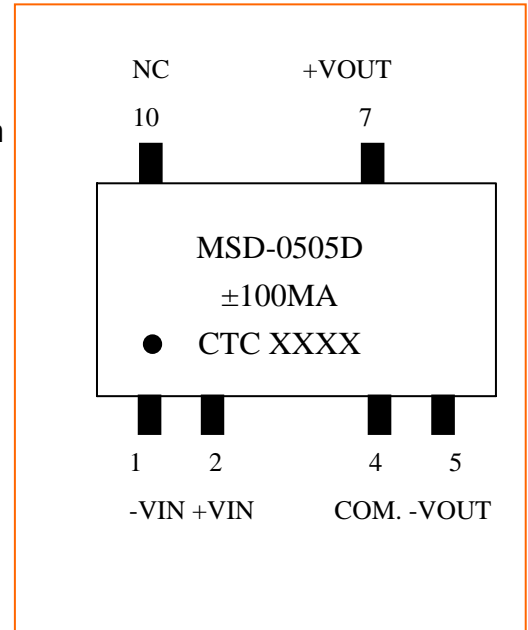
# CTC COIL TECHNOLOGY CORPORATION

## DC/DC CONVERTER MSD-XXXXD SERIES 1W DUAL OUTPUT

### ELECTRICAL SPECIFICATIONS: UNREGULATED

- Input voltage range -----  $\pm 10\%$
- Input filter----- Capacitor.
- Output voltage accuracy -----  $\pm 5\%$
- Line voltage regulation ----- 1.2%Typ./1%Of Vin
- Load voltage regulation (10% ~ 100%)-  
5V Output Types----- 15% Max.  
9V,12V and 15V Output Types----- 10% Max.
- Ripple&noise/20MHZ BW -----  $\pm 100\text{mV P-P Max.}$
- Efficiency at full load----- 70% Min.
- Isolation voltage ----- 1000Vdc Min.
- Short circuit protection ----- 1.0 Second
- Operating temperature range -----  $-40^{\circ}\text{C to }85^{\circ}\text{C}$
- Storage temperature range -----  $-55^{\circ}\text{C to }125^{\circ}\text{C}$
- Isolation resistance ----- 10G  $\Omega$  Min.
- Isolation capacity ----- 70pF Typ.
- Package weight----- 2.2g
- ReFlow temp.-----  $230^{\circ}\text{C}(10 \text{ Sec.})$
- Meet CE EN-60950-1 Certified

\*Note: Measured @ 25 With The Condition of Vin = Nominal And Full Load.

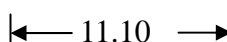
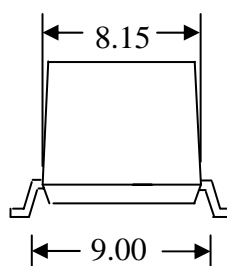
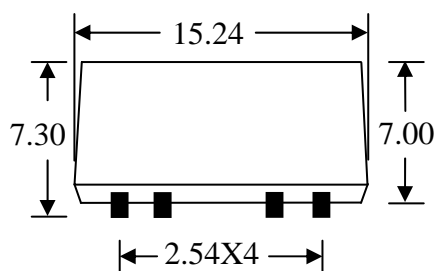


**Note: Add/H3 after P/N for isolation 3KVdc**

### Selection Guide

Model Number	Input Voltage (VDC)	Output Voltage (VDC)	Output Current (mA)	Efficiency (%)
MSD-XX3.3D	3.3,5,9,12,15,24	$\pm 3.3$	$\pm 152$	68
MSD-XX05D	3.3,5,9,12,15,24	$\pm 5$	$\pm 100$	70
MSD-XX09D	3.3,5,9,12,15,24	$\pm 9$	$\pm 55$	75
MSD-XX12D	3.3,5,9,12,15,24	$\pm 12$	$\pm 42$	78
MSD-XX15D	3.3,5,9,12,15,24	$\pm 15$	$\pm 33$	80
MSD-XX24D	3.3,5,9,12,15,24	$\pm 24$	$\pm 21$	80

### Package Style And Pinning (mm)



PIN	FUNCTION
1	-VIN
2	+VIN
4	COM.
5	-VOUT
7	+VOUT
10	NC

TOL. :  $\pm 0.25\text{mm}$   
UNIT : mm