

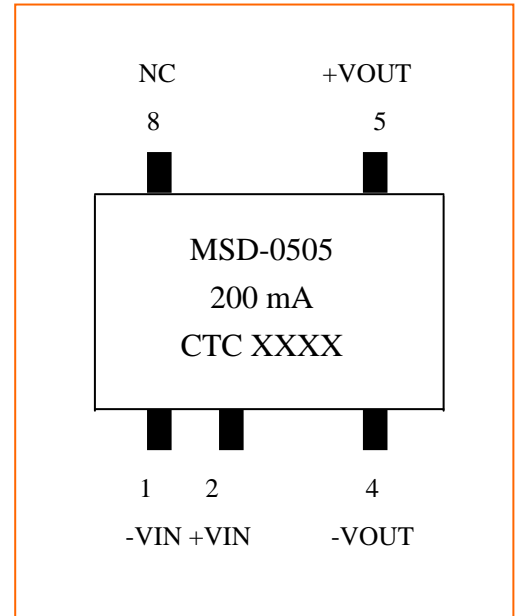
# CTC COIL TECHNOLOGY CORPORATION

## DC/DC CONVERTER MSD-XXXX SERIES 1W SINGLE OUTPUT

### ELECTRICAL SPECIFICATIONS: UNREGULATED

- Input voltage range -----  $\pm 10\%$
- Input Filter----- Capacitor.
- Output voltage accuracy -----  $\pm 5\%$
- Line voltage regulation ----- 1.2%Typ./1%Of Vin
- Load voltage regulation (10% ~ 100%)-  
5V Output Types----- 15% Max.  
9V,12V and 15V Output Types----- 10% Max.
- Ripple&noise/20MHZ BW ----- 100mV P-P Max.
- Efficiency at full load----- 70% Min.
- Isolation voltage ----- 1000Vdc Min.
- Short circuit protection ----- 1.0 Second
- Operating temperature range -----  $-40^{\circ}\text{C}$  to  $85^{\circ}\text{C}$
- Storage temperature range -----  $-55^{\circ}\text{C}$  to  $125^{\circ}\text{C}$
- Isolation resistance ----- 10G  $\Omega$  Min.
- Isolation capacity ----- 45pF Typ.
- Package weight----- 1.5g
- ReFlow temp.-----  $230^{\circ}\text{C}$ (10 Sec.)
- Meet CE EN-60950-1 Certified

\*Note: Measured @ 25 With The Condition of Vin = Nominal And Full Load.

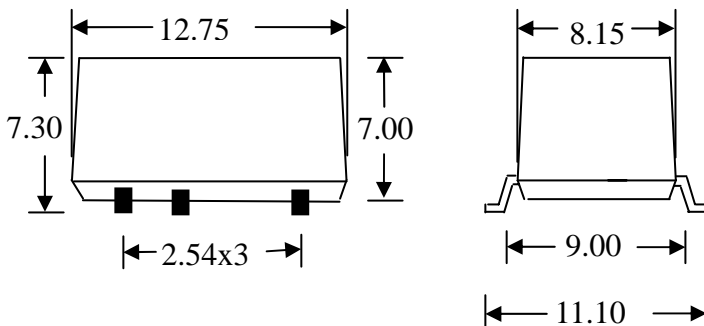


**Note: Add/H3 after P/N for isolation 3KVdc**

### Selection Guide

Model Number	Input Voltage (VDC)	Output Voltage (VDC)	Output Current (mA)	Efficiency (%)
MSD-XX3.3	3.3,5,9,12,15,24	3.3	300	70
MSD-XX05	3.3,5,9,12,15,24	5	200	70
MSD-XX09	3.3,5,9,12,15,24	9	111	75
MSD-XX12	3.3,5,9,12,15,24	12	84	78
MSD-XX15	3.3,5,9,12,15,24	15	66	80
MSD-XX24	3.3,5,9,12,15,24	24	42	80

### Package Style And Pinning (mm)



PIN	FUNCTION
1	-VIN
2	+VIN
4	-VOUT
5	+VOUT
8	NC

TOL. :  $\pm 0.25\text{mm}$

UNIT : mm